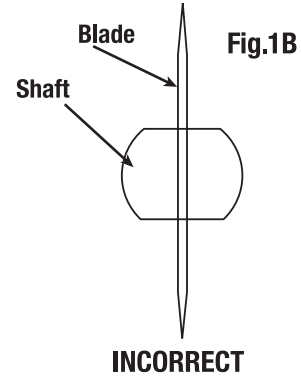
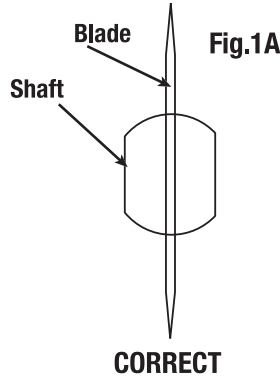
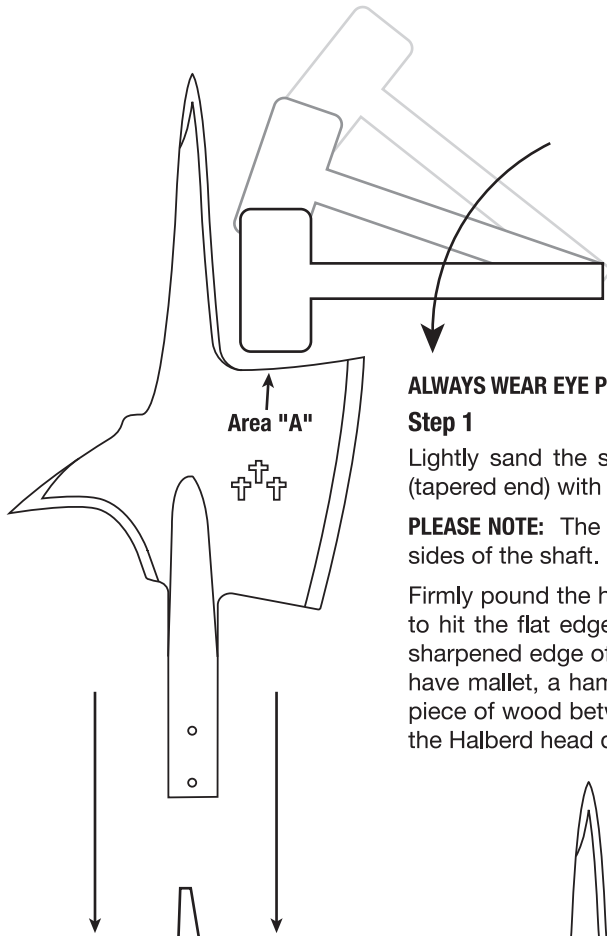


SWISS HALBERD

ASSEMBLY INSTRUCTION SHEET

TOOLS NEEDED:
Power Drill
3/16" Drill Bit
Phillips Head Screw Bit



ALWAYS WEAR EYE PROTECTION WHILE ASSEMBLING THIS PRODUCT

Step 1

Lightly sand the shaft from the tapered end down the sides to approximately 11" from the tip (tapered end) with 100 grit sand paper.

PLEASE NOTE: The Halberd's cutting edges **MUST** be aligned in the same direction as the two flat sides of the shaft. See fig. 1A, 1B and 1C.

Firmly pound the head of the Swiss Halberd onto the shaft by using a hard plastic mallet. Be sure to hit the flat edge of the Halberd (area "A") as you are pounding the head on. Avoid hitting the sharpened edge of the blade as you might damage the Halberd head or your mallet. If you do not have mallet, a hammer and a 1/2" thick piece of wood can be used. If this is the case, place the piece of wood between the Halberd and the hammer, then carefully pound the head on. Do not hit the Halberd head directly with the hammer as you might scratch or damage it.

Fig.1C

